

# Timney Triggers Ruger 10/22 Installation Instructions:

Before beginning work on any firearm, remove the ammunition source and double check to insure the chamber is empty.

To begin installation the receiver and barrel will need to be removed from the stock. Remove the take down screw just forward of the magazine and remove the receiver and barrel from the stock. Some 10/22s have a barrel band that must also be removed.

Once the receiver and barrel is removed from the stock the receiver and barrel should look like the Figure 1 below.

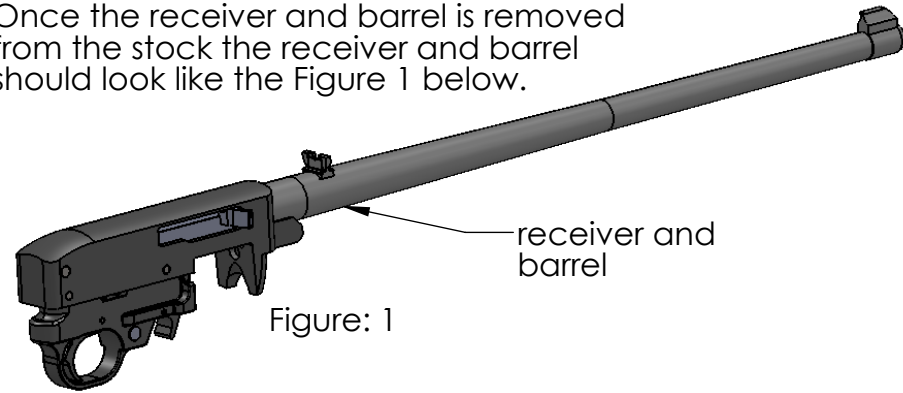
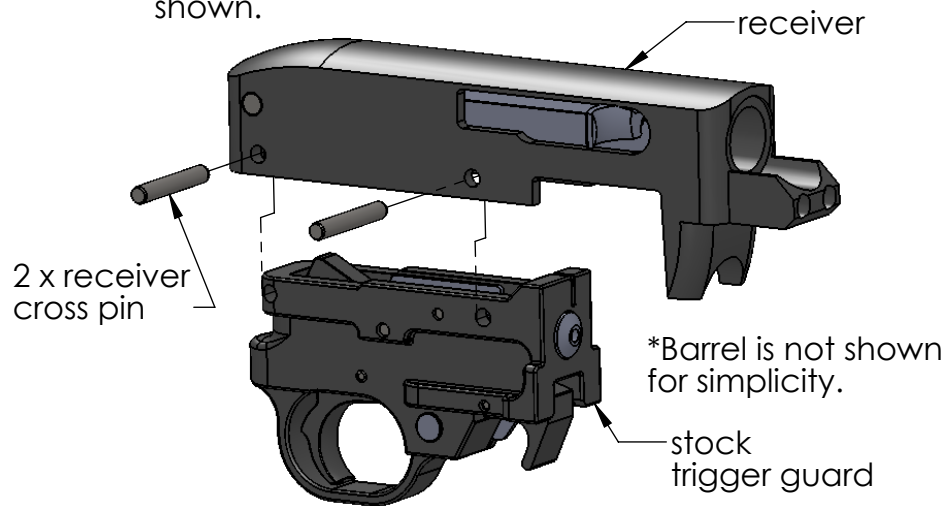


Figure: 1

## Step 1:

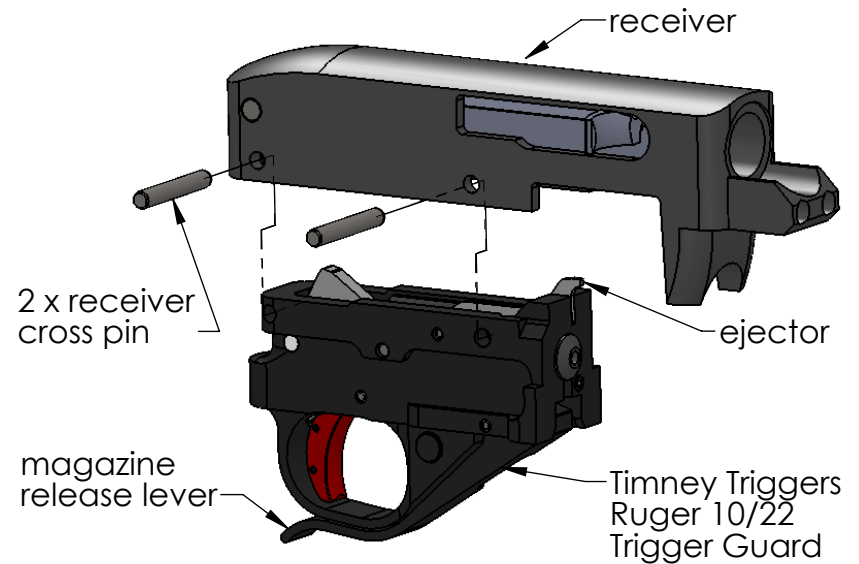
Remove the 2 x receiver cross pins as shown.



The trigger guard will now slide out the bottom of the receiver as shown.

## Step 2:

Now take your Timney Trigger Ruger 10/22 Trigger Guard and insert into receiver and 2 x receiver pins as shown.



Now replace receiver and barrel back into the stock and secure take down screw and barrel band if necessary to complete installation.

Your Timney Triggers Ruger 10/22 Trigger Guard is now successfully installed.